

# Progress on Design and Construction of a MuCool Coupling Solenoid Magnet

L. Wang, X. K. Liu, F. Y. Xu, S. Y. Li, H. Pan, *Member, IEEE*, H. Wu, X. L. Guo, S. X. Zheng, M. A. Green, *Member, IEEE*, D. R. Li, S. P. Virostek, and M. S. Zisman

**Abstract**—The MuCool program undertaken by the US Neutrino Factory and Muon Collider Collaboration is to study the behavior of muon ionization cooling channel components. A single superconducting coupling solenoid magnet is necessary to pursue the research and development work on the performance of high gradient, large size RF cavities immersed in magnetic field, which is one of the main challenges in the practical realization of ionization cooling of muons. The MuCool coupling magnet is to be built using commercial copper based niobium titanium conductors and cooled by two cryo-coolers with each cooling capacity of 1.5 W at 4.2 K. The solenoid magnet will be powered by using a single 300 A power supply through a single pair of binary leads that are designed to carry a maximum current of 210 A. The magnet is to be passively protected by cold diodes and resistors across sections of the coil and by quench back from the 6061 Al mandrel in order to lower the quench voltage and the hot spot temperature. The magnet is currently under construction. This paper presents the updated design and fabrication progress on the MuCool coupling magnet.

**Index Terms**—Coil, fabrication progress, MuCool superconducting magnet, updated design.

## I. INTRODUCTION

THE MuCool at Fermi National Accelerator laboratory (Fermilab) in United States (US) is one research and development program undertaken by the US Neutrino Factory and Muon Collider Collaboration (NFMCC) to study the behavior of muon ionization cooling channel components including radio frequency (RF) cavities and hydrogen absorbers [1]. The RF cavity to be used for the Muon Ionization Cooling Experiment (MICE) can be tested in a magnetic field under conditions similar to those encountered in the MICE cooling channel at MuCool test area (MTA). A prototype 201 MHz RF cavity has been developed and achieved  $\sim 16$  MV/m peak

Manuscript received October 20, 2009. First published March 01, 2010; current version published May 28, 2010. This work was supported by Funds of cryogenics and superconductivity technology innovation Project under “985-2 Plan” of Harbin Institute of Technology, China and by the Office of Science, US Department of Energy under Contract DE-AC02-05CH11231.

L. Wang was with the Institute of Cryogenics and Superconductivity Technology, HIT, Harbin 150001, China. She is now with Shanghai Institute of Applied Physics, Shanghai 201204, China (e-mail: wangli\_icst@hit.edu.cn).

X. K. Liu, F. Y. Xu, H. Pan, H. Wu, X. L. Guo, and S. X. Zheng are with the Institute of Cryogenics and Superconductivity Technology, Harbin Institute of Technology, Harbin 150001, China.

S. Y. Li is with Hilong University of Science and Technology, Harbin 150027, China.

M. A. Green, D. R. Li, S. P. Virostek, and M. S. Zisman are with Lawrence Berkeley National Laboratory, Berkeley, CA 94720, USA.

Color versions of one or more of the figures in this paper are available online at <http://ieeexplore.ieee.org>.

Digital Object Identifier 10.1109/TASC.2010.2040615

accelerating field without any external magnetic field at Fermi lab. A coupling solenoid magnet identical to those for the MICE is necessary for the MuCool to study the acceleration field under the magnetic field and perform the 201 MHz RF cavity breakdown and dark current experiment. The acceleration gradient of the RF cavities that can be achieved under the magnetic field is one of the important inputs in the optimization of neutrino factory and muon collider design [2].

The Institute of Cryogenics and Superconductivity Technology (ICST) at the Harbin Institute of Technology (HIT) has been undertaking the design, fabrication and cryo-test two coupling magnets for MICE and the third functionally identical magnet for the MUCOOL experiment since 2006 in collaboration with the Lawrence Berkeley National Laboratory (LBNL) in US. This paper presents the updated design and fabrication progress on the MuCool coupling magnet.

## II. UPDATED DESIGN OF MUCOOL COUPLING MAGNET

The MuCool coupling magnet mainly consists of the coil cold mass assembly and the cryostat assembly as shown in Fig. 1. The coil cold mass assembly at 4.2 K comprises the coil winding pack and its case, cooling tubing and helium vessels, cold end bases of cold mass support assembly and quench protection assembly. The cryostat includes the cryo-coolers and cooling circuit, cold mass supports, heat shields and their supports, magnet current leads, vacuum chamber, and instrumentation. The preliminary engineering design of the MICE/MUCOOL coupling magnets was carried out by ICST/HIT in collaboration with LBNL since December, 2006 and was first internationally reviewed in May 2007. According to the experience gained from development of two test coils [3], [4], the detailed design was updated quite a lot and internationally reviewed again in December 2008 [5]. The updated design on the coil cold mass assembly and its cooling is presented in detail in this paper.

### A. Basic Parameters of MuCool Coupling Coil

The updated design for the coil cold mass assembly is quite different from the previous one in terms of coil winding, mandrel fabrication, cooling and quench protection assembly [5], as shown in Table I. The previous design thickness of 102.5 mm was assumed to adopt the 0.025 mm thick fiberglass cloth. The inner radius of the coil is increased from 744 mm to 750 mm in order to leave more space between the inner thermal shield and the coil. In practice, because the fiberglass cloth with 0.050 mm thickness is to be used for the MuCool coil instead of 0.100 mm thick one, the coil thickness reduces from 110.4 mm to 105.5 mm taking into account the thickness of impregnating epoxy.

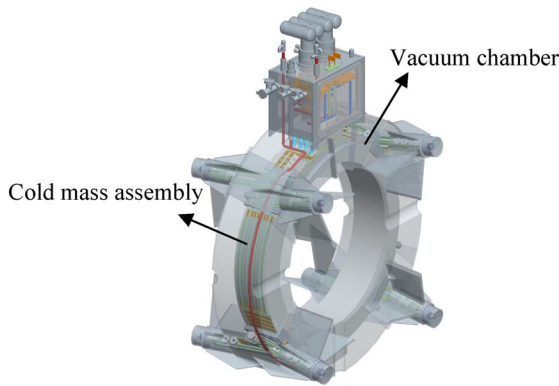


Fig. 1. 3D view of MuCool coupling magnet.

TABLE I  
BASIC PARAMETERS OF COUPLING COIL

Parameter	Previous	Updated
Coil Length (mm)	285	285 (284)*
Coil Inner Radius (mm)	744	750
Coil Thickness (mm)	102.5	110.4 (105.5) *
Number of Layers	96	96
No. Turns per Layer	166	166 (168)
Magnet Self Inductance (H)	~564	~591.8 (607.3) *
Magnet Jc (A mm <sup>-2</sup> )	114.6	106.85 (112.03) *
Magnet Current (A)	210	210
Magnet Stored Energy (MJ)	12.4	13.1 (13.4) *
Peak Induction in Coil (T)	7.44	7.32 (7.49) *
Coil Temperature Margin (K)	~0.8	~0.86 (~0.76) *

\* The practical value of the MuCool coupling coil under construction.

Because the additional G-10 sheets are to be applied as the slip planes between the coil and the two mandrel end plates, the coil length becomes 284 mm instead of 285 mm. The Catalyst 24LV with lower viscosity for curing the black Stycast epoxy is to be applied in the coil, so the turn-to-turn thickness may be controlled within 0.040 ~ 0.050 mm during winding with improved wire alignment control, and then the coil turn per layer can be up to 168 turns. Consequently, the self-inductance and magnetic stored energy of the MuCool coupling coil is increased by 2.62% compared with the design parameters [6]. The peak magnet field is increased by ~0.17 T at full current 210 A. The coil temperature margin is reduced by ~0.1 K due to the increase of peak magnetic field and stored energy.

### B. Coil Assembly and Its Cooling

The coil assembly consists of the coil and the coil case as shown in Fig. 2. The coil is composed of electrical insulations, epoxy resin, and conductors made of copper based NbTi conductors with insulated dimension of 1.65 mm in width and 1.00 mm in height. The coil case includes the mandrel, the cover plate and the banding. The coil mandrel made of 6061-T6 aluminum consists of the inner bobbin and two end plates. The inner diameter of the coil bobbin is 1460 mm, and its thickness

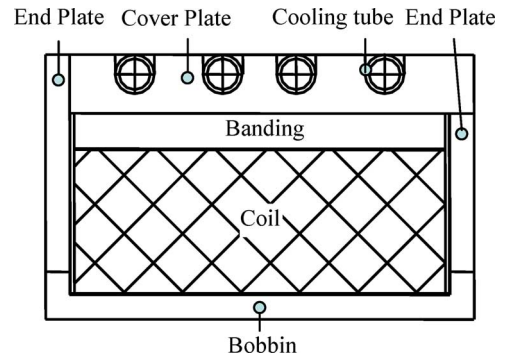


Fig. 2. Cross section of the MuCool coupling coil assembly.

is 19 mm. The thickness of the end plate is 18 mm, and the outer diameter of the left plate is 1860 mm, that of the right plate is 1770 mm. The cover plate also made from 6061T6 Al is to be welded onto the coil mandrel after the banding is wound outside the 1.0 mm thick G-10 insulation sheet attached to the outermost layer of the coil. The length of the mandrel is 328 mm. Compared with the previous design, the bobbin thickness increases from 13 mm to 19 mm considering the severe peak stress generated during cool down process in the bobbin center [8], which leads to tighter space between the bobbin and the inner vacuum chamber. The thickness of the cover plate increases from 15 mm to 45 mm because the helium cooling tubing is to be welded into the slots in it instead of extruded tubes attached onto its outer surface. Having the cooling tubes embedded into the cover plate improves the heat transfer from the coil to the liquid He tubes and provides more cold surfaces for easy mounting of quench protection assembly. The thicker cover plate also allows the reaction forces in the cold mass supports to be carried across the coil cover through the clevis fixture. The thickness of the banding is 27 mm which is almost same as the previous design. The banding is not only used for reinforcing the coil winding but also for enlarging the space between the cover plate welds and the conductors to protect the conductor formvar insulation from burning out during the welding process [5].

As shown in Fig. 3, the coil cooling circuit is to be arranged as a thermal siphon cooling system driven by gravity force to minimize the temperature drop between the second stage cold head of cooler and the hot spot in the magnet. The coupling coil cooling system mainly consists of cryocooler and helium re-condenser, piping system for various operations, liquid helium vessels and safety device. For each coupling solenoid, two pulse tube refrigerators (PTR) with 1.5 W cooling capacities at 4.2 K each must be used to provide the cryogen-free refrigeration in terms of heat loads in the magnet and effect of stray magnetic field on the cooler during normal operation. The combined refrigeration power will be 3.0 W at 4.2 K and 110 W at 60 K (50 Hz) or 90 W at 50 K.

The PTR will operate with the cold heads down and be mounted on top of the cryostat vacuum chamber using drop-in mode. The drop-in cooler is isolated from the cryostat vacuum by thin-wall helium-filled stainless steel sleeve. This arrangement allows for the easy removal of the cooler from the magnet cryostat in order to avoid potential damage during long-term

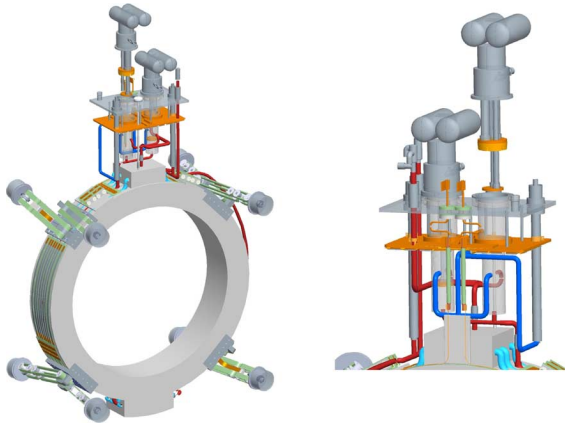


Fig. 3. Cooling circuit for the MuCool coupling magnet.

TABLE II  
HEAT LOADS AT 4.2 K (W)

HTS leads (60K-4.2K)	0.13
Conduction through 4.2 K cold mass supports	0.2
Radiation to 4.2 K cold mass	0.85
4.2K neck tubes	0.212
SC joints	$2.64 \times 10^{-3}$
4.2 K instrument wires	0.1
Sub-total	1.492
Contingence	30%
Total	1.94

transportation from China to US or from US to UK. The re-condenser is made from the holes in the copper block that comprises the second-stage of the cooler. The cooling capacity of the PTR-415 in the drop-in configuration was measured in USA, and only 1.2 W  $\sim$  1.3 W was obtained probably due to the conduction through the thin-wall SS sleeve, which means the effective available cooling power at 4.2 K is from 2.4 W to 2.6 W instead of 3.0 W. The estimated heat loads for the magnet are listed in Table II.

### C. Quench Protection Assembly

The MuCool coupling magnet will be passively quench-protected by sub-dividing the coil into eight parts. Each coil sub-division will have a diode and resistor across it. Quench back from the coil mandrel and the banding in combination with the coil sub-division ensures that the hot spot temperature in the coil will be no higher than 130 K [7].

The quench protection assembly will be mounted on the outer surface of the coil cover plate and is kept cooled lower than 4.8 K by heat conduction during normal operation as shown in Fig. 4. It is divided into two groups, and each group is spread at one side of the helium vessels, which is composed of a cold diode assembly and a resistor assembly [5].

Each cold diode assembly is composed of 4 pairs of back-to-back diodes as shown in Fig. 4, which are R620 “hockey puck” high current rectifiers with industry grade. This kind of diode has been successfully applied in the cryogenic temperature. The

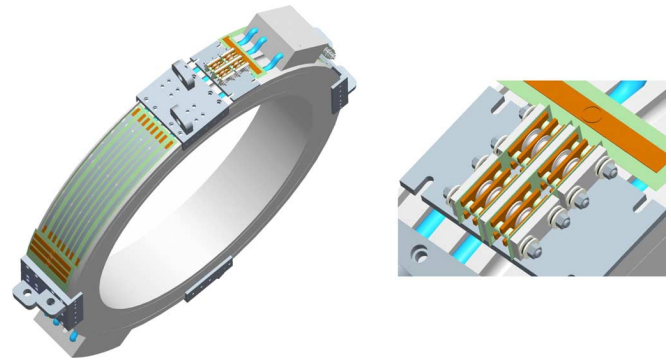


Fig. 4. Top view of passive quench protection assembly.

forward voltage of the quench diode is very sensitive to the diode temperature, external magnetic field and its direction. The field around the diode is about 1.5 T  $\sim$  2.5 T. Before mounting, the diodes should be tested at low temperature (e.g. 4.2 K) and magnetic field for verifying the quality and measuring the forward threshold voltage drop, forward and reverse leak current.

The diode assembly is designed as a sandwich-like structure in order to meet the demands on heat conduction, electrical conduction and elec-insulation simultaneously. Each pair of diodes is clamped between 2 copper plates with thickness of 4 mm, which are used as both thermal sink and electrical connection for cold diodes. The G-10 sheets with thickness of 1 mm are used for electrical insulation among diode pairs and copper pieces. A stack of Bellville washers are to be used to maintain the clamping force with pressure of 450–630 kg even at 4 K so as to keep good electrical contact of diode assemblies. The Al plates are used as fixture as well as thermal sink and cooling conduction. The G-10 washers and G-10 tubes are used to insulate bolt assembly with copper plates. The 5 kV Hi-pot test should be performed for the diode assembly. The clear path between copper poles and the aluminum plate will be more than 10 mm.

According to the simulation results [5], for the 8-sectioned coupling coil with stainless steel banding during quench process, the hot spot temperate is about 130 K, the voltage-to-ground is 2611 V, the layer-to-layer voltage is 435 V, and the quench time constant is about 16 s. Most of the storage energy is dumped into the coil itself and the energy dumped to the banding is negligible.

### III. FABRICATION PROGRESS OF COUPLING MAGNET

At the early of 2009, the contract to fabricate the MuCool coupling magnet was awarded to QiHuan Mechanical & Electronic Engineering Company in Beijing by HIT after inspection of LBNL collaborators to QiHuan at the early of this March. The fabrication includes the coil winding. The winding system except the winding machine was transported to the QiHuan from the ICST. The system was re-assembled and debugged by the QiHuan under ICST’s inspection. The winding technique developed by ICST was transferred to the QiHuan by winding a small coil with 350 mm inner diameter using the conductors by this July. All the materials for the coil winding provided by LBNL were shipped to the QiHuan at the end of this May. The tooling supporting the mandrel during the winding was fabricated. The



Fig. 5. Mandrel after welding, pre-assembly of cooling tubing and He vessel.

coil winding will start once the test for the prototype coil is to be completed and the mandrel fabrication is to be done. The 304 stainless steel plates and the 4 mm thick 1100-aluminum plates have been procured for the fabrication of the vacuum chamber and the heat shields for the magnet cryostat.

For the coil cold mass assembly, the helium vessels were ready for welding with the cooling tubing. The helium cooling tubing made from 6061Al with 30 mm outer diameter and 4 mm thickness has been leakage checked under the pressure 2.5 MPa. The leakage rate is less than  $1 \times 10^{-10}$  Pa/m<sup>3</sup>-s. The forged cover plate was machined to final dimensions.

The current 6061-T6 Al coil mandrel is fabricated from two cut end plates and a roll-up plate. The welding of the end plates onto the roll-up was done in a way to minimize distortion. Ten pass full penetration welds at each side were used on the mandrel. The mandrel distortion was measured at 24 places around the mandrel as it was welded and quite small. The width across the mandrel plates is in  $\sim 333 \pm 0.7$  mm.

After welding, the strength of thermal effect region around welds lowers down greatly (Fig. 5). The material around welds will change to 6061-0 and its tension strength is only  $\sim 125$  MPa. Proper heat treatment is helpful to increase the strength around welds and to release the thermal stress generated during welding. The material around welds will change to 6061-T4 with tension strength of  $\sim 207$  MPa or be back to 6061-T6 with tension strength of  $\sim 290$  MPa. However, the heat treatment will lower down the electrical performance of material such as elec-conductance. The mandrel will be machined to its final dimensions after it is heat treated to strengthen the welds ( $>200$  MPa) as planned previously.

The key points for heat treatment include proper processing procedure and parameters (needed to be tested using samples), annealing oven with precise temperature control system, stable and uniform temperature on parts, and limited quench time ( $<20$  s). The heat treatment procedure have been studied and proved using small samples by the QiHuan for more than ten times from the middle of this May till the end of this July. However, it's hard to realize the processing on the MuCool coupling coil mandrel using current oven without much modification due to large size.

According to the suggestion from the experts both in China and in USA, there are two options, one is to develop one specialized salt bath oven for the MuCool coil mandrel heat treatment, and the other is to machine one new mandrel from a single forged 6061-T6-aluminum cylinder instead. Considering both cost and schedule, the latter is preferred.

#### IV. CONCLUSION

The updated design for the MuCool coupling magnet was carried out according to experience gained from development of two test coils by ICST and internationally reviewed in December, 2008, which is quite different from the previous design in terms of coil winding, mandrel fabrication, cooling and quench protection assembly. The coil inner radius was increased from 744 mm to 750 mm in order to leave more space between the inner thermal shield and the coil. The coil is to be 105.5 mm in thickness due to using 0.050 mm thick fiberglass cloth as layer-to-layer elec-insulations. The coil is to be cooled by liquid helium flowing inside cooling tubing nested into the coil case cover plate and the quench protection assembly is to be symmetrically mounted along the outer surface of the cover plate. The MuCool coupling magnet is currently under fabrication. Extensive tests for mandrel welding and heat treatment process after welding have been carried out. According to the experimental results, the forging coil mandrel will be adopted instead of welding. The coil winding is expected to start in early 2010.

#### ACKNOWLEDGMENT

The authors thank the experts CHEN Hao-shu and YI Chang-lian from Beijing China for their technical assistance.

#### REFERENCES

- [1] D. Li and M. S. Zisman, 201-MHz NCFR cavity program (at MU-COOL in Fermi lab), Neutrino Factory and Muon Collider Collaboration Meeting (March 2006) [Online]. Available: <http://www.mice.iit.edu/nfmcc06/>
- [2] G. Gregoire, G. Ryckewaert, and L. Chevalier *et al.*, MICE and International Muon Ionization Cooling Experiment Technical Reference Document [Online]. Available: <http://hep04.phys.itt.edu/cooldemo>
- [3] L. Wang, H. Pan, and F. Y. Xu *et al.*, "Design and construction of test coils for MICE coupling solenoid magnet," *IEEE Trans. Applied Superconductivity*, vol. 19, no. 3, pp. 1340–1343, 2009.
- [4] L. Wang and X. L. Gou *et al.*, "Design and construction of a prototype solenoid coil for MICE coupling magnets," *IEEE TAS*, 2010, (this publication), submitted for publication.
- [5] Institute of Cryogenics and Superconductivity Technology, Engineering Design of MICE/MUCOOL Coupling Solenoid Magnets (Unpublished), Harbin Institute of Technology, Dec. 2008.
- [6] L. Wang, F. Y. Xu, and H. Wu *et al.*, "Magnetic and cryogenic design of MICE coupling solenoid magnet system," *IEEE Trans. Applied Superconductivity*, vol. 19, no. 3, pp. 1344–1347, 2009.
- [7] X. L. Guo, F. Y. Xu, L. Wang, and M. A. Green *et al.*, "Quench protection for the MICE cooling channel coupling magnet," *IEEE Trans. Applied Superconductivity*, vol. 19, no. 3, pp. 1360–1363, 2009.